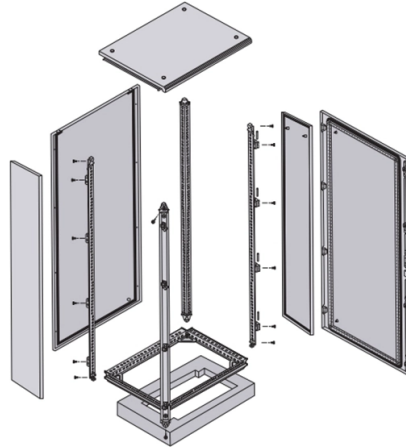


# Japan After-Sales Service Optical Cable 2 Cores



## Overview

We specialize in special cables for industrial use and robotic applications, high-frequency cables, and cables with customized specifications. We handle products from all Japanese manufacturers and can offer a wide range of products, and we also have a lineup of products. Furukawa Electric Group specializes in telecommunications and offers a range of fiber optic cables and components as part of its information and communication solutions. Its small diameter and lightweight construction allow it to be installed quickly and efficiently using mechanical splicing technology. The cable is strengthened with Phosphated Steel Wire and is. From Fiber Optic to Copper Cables, from the most innovative products to the smartest solutions, from industries such as Broadcast or Enterprise to Industrial or Data Center, OCC has the connections you need. Optical fibers were formerly considered expensive.



## Article Content

### Optical Fibers | Telecommunication Systems Business Unit

We offer a range of ITU-T compliant optical fibers for diverse applications—from long-distance transmission to FTTH, home wiring, and LAN. We provide tailored solutions to meet your needs and ...

### Brand Rex 2 core optical fiber cable

Brand Rex 2-core optical fiber cable is usually used in harsh environments. Brand-Rex cables exceed Category 7 performance standards. They are specified and rated up to 600 MHz. Up to 1000 MHz ...

### Top 55 Fiber Optic Cable Manufacturers in Japan (2026) | ensun

NTT SmartConnect specializes in optical fiber cable services through its Dojima Connect offering, ensuring high reliability for data communication. This makes it an appealing choice for Internet ...

### Fiber Optic Cable Installations Tokyo Osaka Japan

We will build (design and install) a network by proposing and selecting an installation reflecting customer needs to fully take advantage of the performance of optical cables. The optical fibers most often used ...

### 2 Core Single Mode Fiber Optic Cable VCELINK

This two-core fiber optic cable is perfect for indoor horizontal and vertical cabling, under carpet, and along corners. If you have any questions about this product, please contact us directly.

### Japan Cable Sales Center

Japan Cables Sales Center is a specialized trading company which handles wires and cables from all manufacturers throughout Japan. We specialize in special cables for industrial use and robotic ...

### Optcore - Optical Transceiver & Fiber Optic Solution Provider

Support Assurance We provide a 3-year warranty for all transceivers. Our professional after-sales team can quickly assist with your technical questions, returns, and exchanges. You don't need to worry ...

### ZTT International Limited

Based on 30 years of manufacturing experience and research from ZTT, we have integrated the national leading advantage of the identification resolution system, as well as industry-leading technologies ...

### Fiber-optic cable with connector 2 core

Fiber-optic cable with connector 2 core 1 Model Number 1.1 Model Number  
Description(Table 1) Example.) TFC-2C-SM-SC-SC-2m 1 2 3 4

## Contact Us

For more information, pricing, or custom solutions, please contact us:

Website: <https://budowasilesia.pl>

Email: [contact@budowasilesia.pl](mailto:contact@budowasilesia.pl)

Phone: +48 537 192 846

Address: ul. Chorzowska 45, 40-001 Katowice, Silesian Voivodeship, Poland

This document is for informational purposes only. Specifications subject to change without notice.

